

THIS DRAWING IS UNPUBLISHED.

RELEASED FOR PUBLICATION

ALL RIGHTS RESERVED.

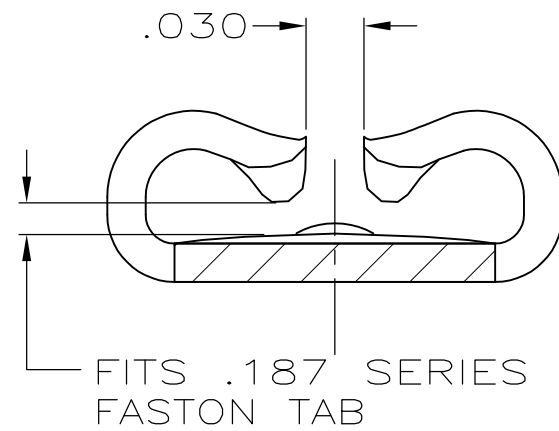
© COPYRIGHT - By -

LOC AF DIST 50

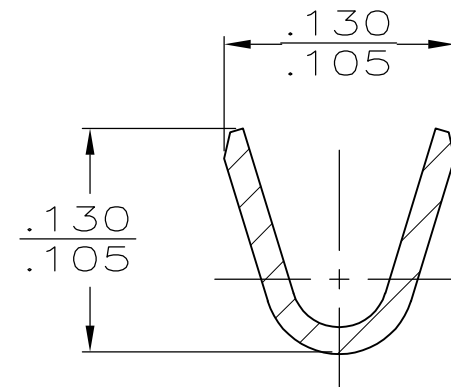
REVISIONS

P	LTR	DESCRIPTION	DATE	DWN	APVD
	A	REVISED PER ECR-12-013459	27NOV2012	KH	PD

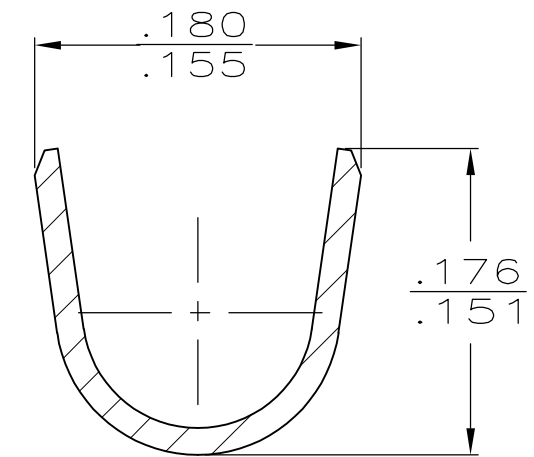
1 SUPPLIED IN LOOSE PIECE



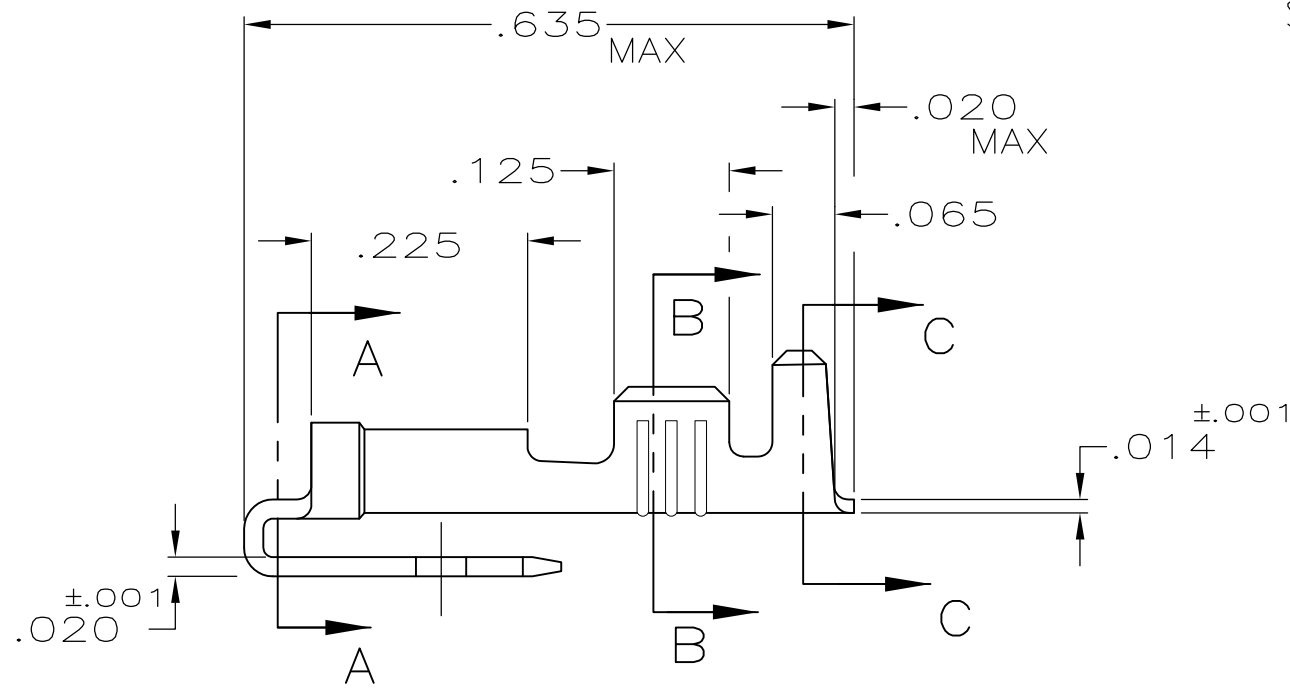
SECTION A-A SCALE 10:1




SECTION B-B SCALE 10:1



SECTION C-C SCALE 10:1



.090-.130	20-16	TIN	.020	62228-1
INSULATION RANGE	WIRE SIZE	FINISH	MATING TAB THK ±.001	PART NO.

THIS DRAWING IS A CONTROLLED DOCUMENT.		DWN JR RUTH 11/17/93	 TE Connectivity RECEPTACLE & TAB, FASTON, PIGGYBACK, .187 SERIES				
DIMENSIONS: INCHES		CHK P FORTNEY 11/17/93				NAME	
TOLERANCES UNLESS OTHERWISE SPECIFIED:		APVD J GILLESPIE 11/17/93				PRODUCT SPEC	
MATERIAL BRASS		FINISH SEE TABLE				APPLICATION SPEC	
0 PLC ± -		SIZE A3			RESTRICTED TO -		
1 PLC ± -		CAGE CODE 00779					
2 PLC ± -		DRAWING NO C-62228			SCALE 5:1 SHEET 1 OF 1 REV A		
3 PLC ± .015		CUSTOMER DRAWING					
4 PLC ± -							
ANGLES ± -							